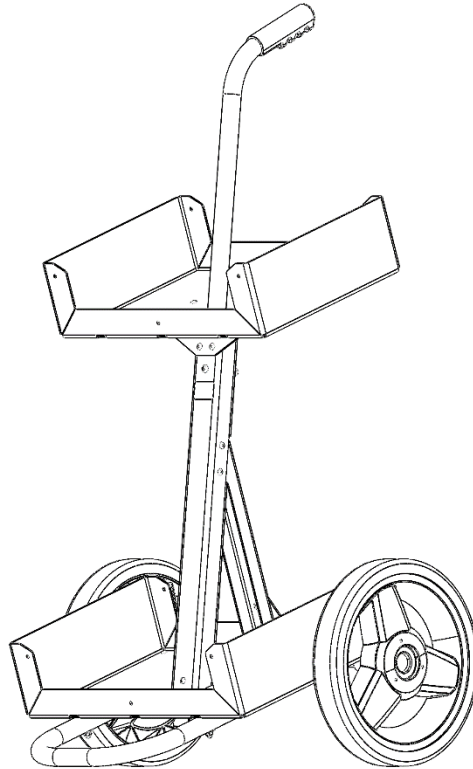


# HYDRATER SETUP, CARE AND MAINTENANCE



## 1. SCOPE

- 1.1. To provide instruction for Hydrater setup, care and maintenance.

## 2. REQUIRED COMPONENTS

- 2.1. Hydrater
- 2.2. Branding (optional)

## 3. SETUP

- 3.1. Remove your Hydrater components from its shipping container. You should have 4 components: base, top tray, center column, and handle (if branding was purchased, then it will also be present).
- 3.2. Place the base on a level surface.
- 3.3. Locate the center column and place it onto the base. The middle tab on the bottom tray goes inside the center column tube. Place the two rear screws through the back of the bottom tray and then through the center column's rear support. Attach the nuts to the screws finger tight. Place the forward screw through the front of the center column tube and then through the bottom tray tab. Attach the nut to the screw finger tight. Use the supplied Allen key and a 3/8" wrench to tighten the hardware.

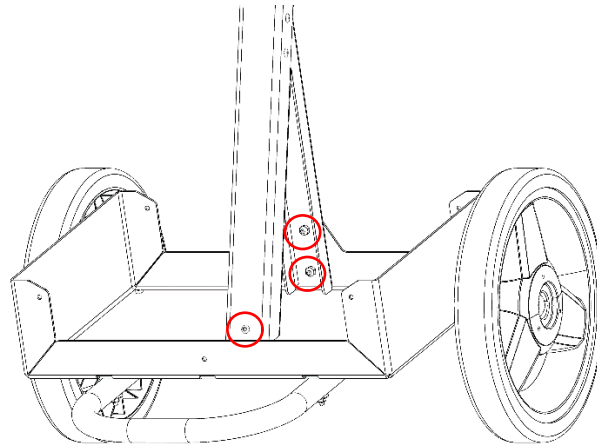


Figure 3.3 Install the Center Column

- 3.4. Place four screws in the four small holes of the top tray. Align the screws to the holes in the upper tray support on top of the center column. Attach the nuts to the screws finger tight. Use the supplied Allen key and a 3/8" wrench to tighten the hardware.

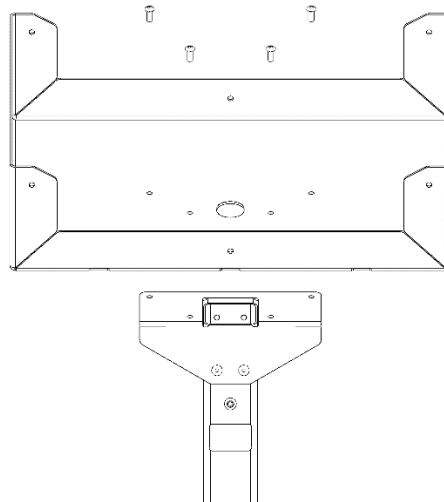


Figure 3.4 Install the Top Tray

- 3.5. Place the handle into the hole in the upper tray. Align the hole in the handle with the hole in the center column. Insert the remaining large screw through the front of the center column and then through the handle. Place the off-white tube spacer onto the screw. Place the flat washer then split-ring lock washer onto the screw. Install the 4-arm knob on the screw and tighten the handle in place.

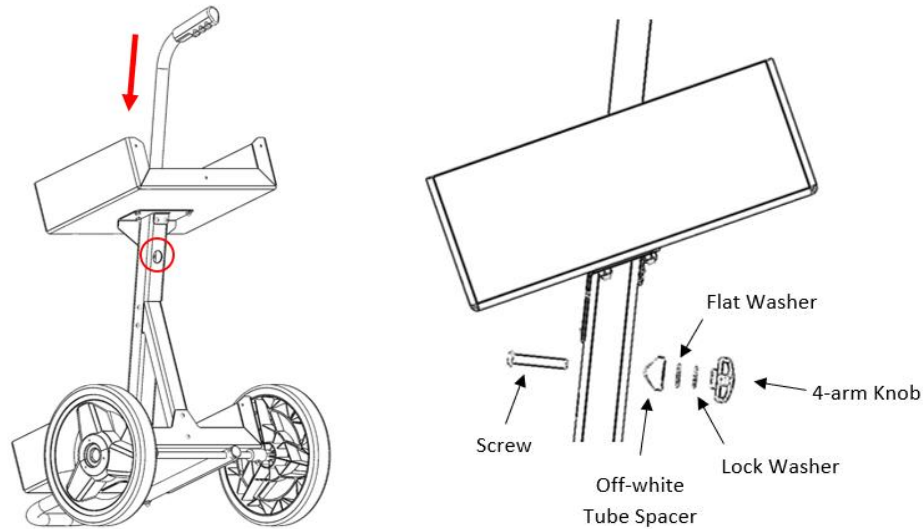


Figure 3.5 Install the Handle

## 4. BRANDING ATTACHMENT

- 4.1. Remove the branding plate from its shipping container.
- 4.2. Align the three holes in the branded plate to the three holes on the HydratER tray. Branded plates can be installed on the top or bottom tray, front or back.
- 4.3. Use the supplied screws (3x per plate) to attach the branding. Tighten the nut onto the screw. Turning the screw against the decal may cause the decal to wrinkle around the screw head.

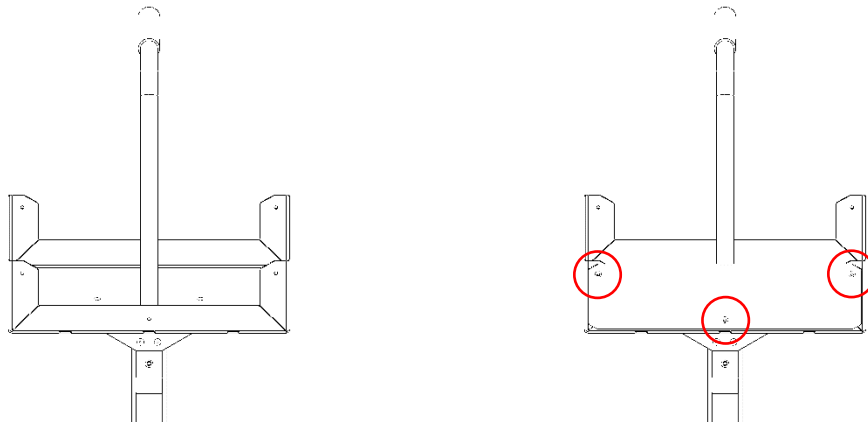


Figure 4.3 Attach the Branding

## 5. CARE AND MAINTENANCE

- 5.1. HydratER has been designed to require minimal upkeep. The user should check all hardware to ensure it is tight before each use. This includes all screws and axel caps. HydratER carries a one-year manufacturer defect warranty.