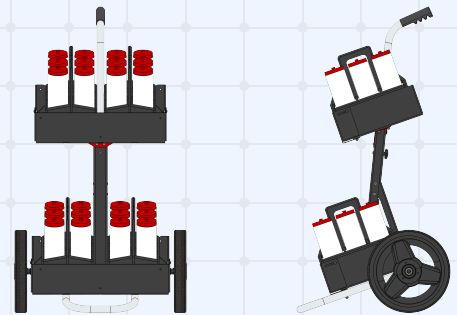


HYDRATER

The future of high-speed hydration transportation. Hydrater® allows athletic trainers to effectively reduce the labor needed to hydrate their athletes.

SIZE: 24"L x 22"W x 44"H **WEIGHT:** 14 lbs (empty)

COLORS: ● Black



Product Features

- > Powder-coated aluminum frame
- > Stainless steel hardware
- > Holds 4 carriers (24 bottles)
- > Supports all major bottle brands
- > Durable 12" wheels
- > Four branding locations
- > Washdown ready
- > Bottles & carriers not included