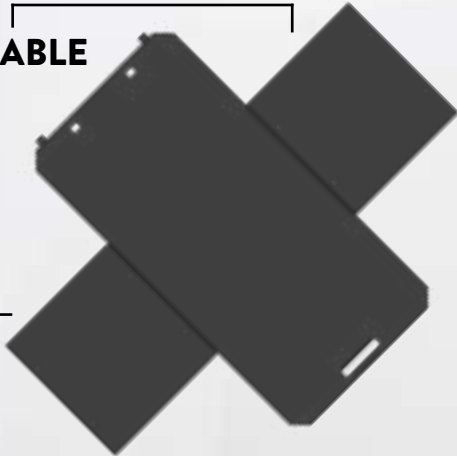


# KINEMATIC AT TABLE

Patent Pending



## CONFIGURABLE SHELVES



**TRAVEL DIMENSIONS**  
48" x 24" x 6.5"



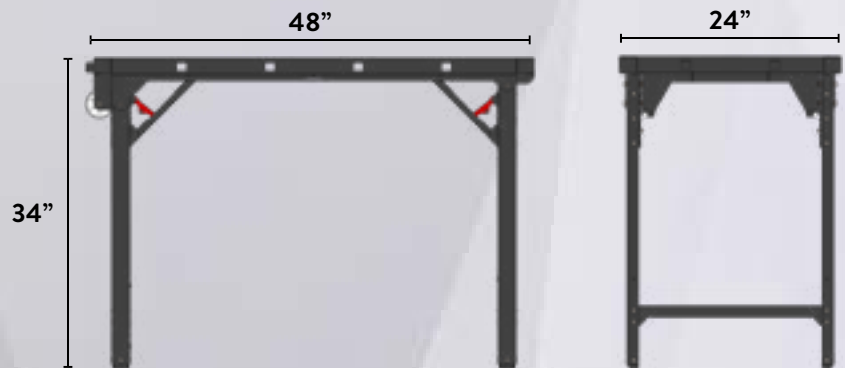
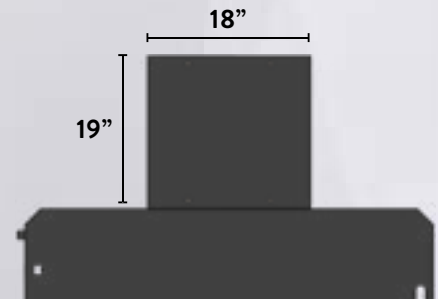
## CAPACITY

TABLE 500lbs  
SHELF 25lbs

Introducing the revolutionary Kinematic AT Table. Ultra-light and ultra-functional, this table will change the way you travel. Win on the road.

## FEATURES

- 9 shelf locations to optimize your setup
- Shelves lock-in for secure attachment
- 1 shelf included
- Onboard storage for 2 shelves
- Folds flat for travel
- Converts into a dolly to transport your gear
- Hard rubber feet, will not puncture turf
- Weatherproof, does not rust
- Ultralight powder coated aluminum frame
- Rock solid stainless steel truss system
- Padded, soft-sided travel case available
- Padded accessory top available
- 30 lbs (bare table)



**LEARN MORE »**