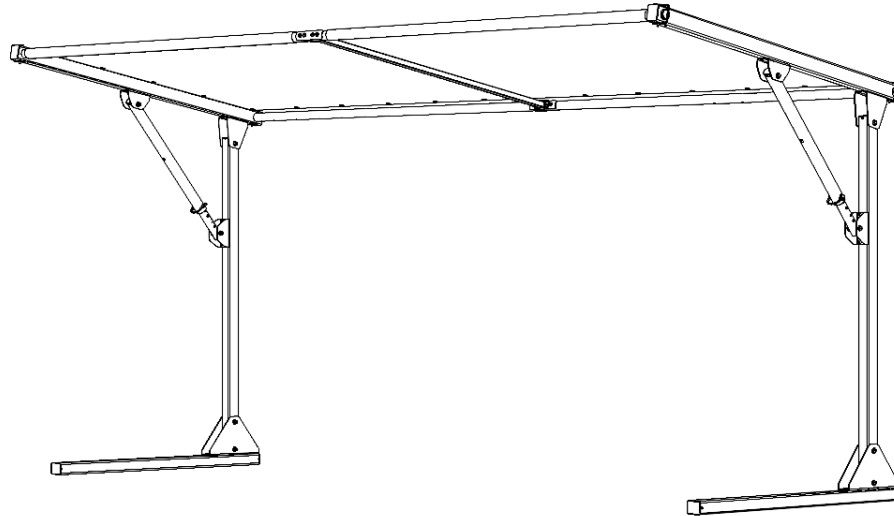


# DRAGON SHADER SETUP, CARE AND MAINTENANCE



## 1. SCOPE

- 1.1. To provide instruction for Dragon ShadER setup, care, and maintenance.

## 2. REQUIRED COMPONENTS

- 2.1. Dragon ShadER
- 2.2. 7/16 socket and wrench
- 2.3. 9/16 socket and wrench
- 2.4. Ratchet or drill/impact wrench
- 2.5. Branding (optional)
- 2.6. Security kit (optional)
- 2.7. Grounding kit (optional)

## 3. SETUP

- 3.1. Remove the Dragon ShadER components from its shipping container. You should have five groups of components: left side, right side, top tubes, top, and hardware.
- 3.2. Place components on a level surface.

- 3.3. Locate the top tubes and place them in pairs on the ground. Each tube has two holes on one end (the noncapped end). Place the two hole ends together for each pair.
- 3.3.1. ShadERs longer than 12' will have a 4' center section that must be installed between the left and right top tubes.

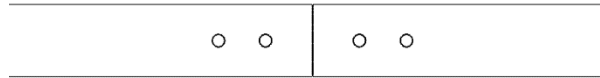


Figure 3.3 Top Tube Orientation

- 3.4. Place one coupling plate on each side of the top tubes. Install the outer sets of 1/4" hardware, but do not tighten. Washers go on the inside and outside of the outer hardware sets.

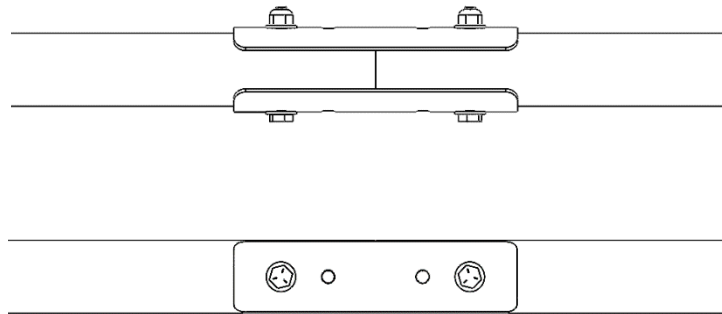


Figure 3.4 Coupling Plate Installation

- 3.5. Position the spreader bar bracket on the inside (nut side) of the coupling plate with the flanges pointing away from the cross tubes. Install the inner sets of 1/4" hardware. Washers go on the outside only of the inner hardware sets.

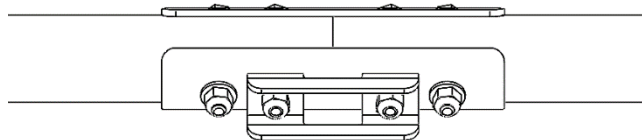


Figure 3.5 Install the Spreader Bar Bracket

- 3.6. Tighten hardware and repeat steps 3.4 through 3.5 for the other top tube assembly.

- 3.7. Move on to the side assemblies. Place the folded rear vertical/upper horizontal assembly down into the base of the bottom horizontal assembly. Install the 3/8" hardware through the gussets and vertical tube. Ensure the bolt heads from both sections are on the same side. This will create left- and right-hand versions. Washers go on the head and nut sides. Tighten hardware after each pair is installed.

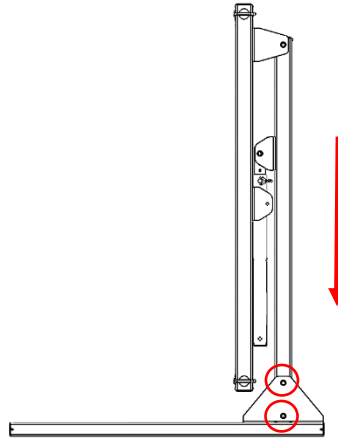


Figure 3.7 Vertical Tube Installation

- 3.8. Raise the folded section up 90 degrees until it is parallel to the bottom piece. Install the 3/8" hardware through the bracket and outer telescoping tube. Do this for both sides and tighten hardware.

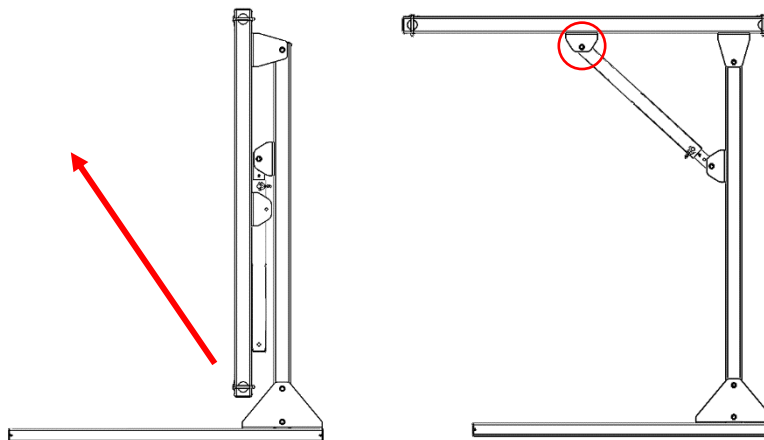


Figure 3.8 Position the Side Assemblies

- 3.9. With two people, install the rear top tube assembly through the rear holes of the side assemblies. Secure with the included quick release pins or optional security kit hardware. Ensure the spreader bar bracket is facing forwards.

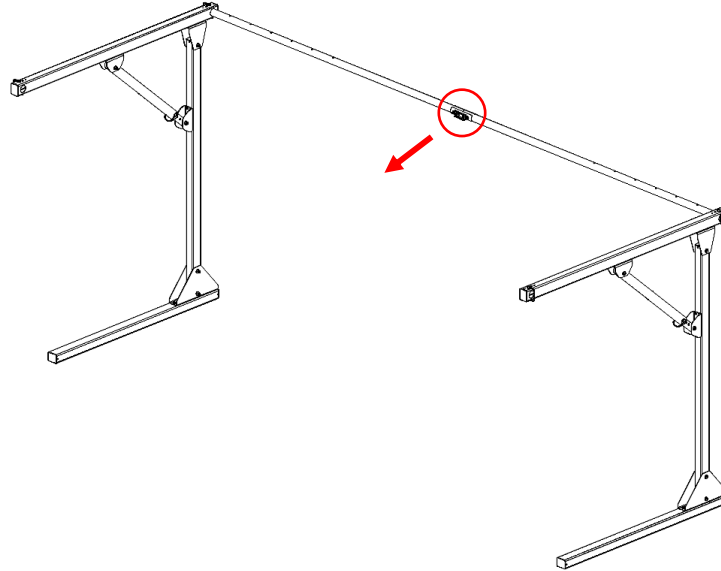


Figure 3.9 Rear Top Tube Installation

- 3.10. Lay the top out flat on the ground. The folded edges should be on the ground and the smooth side should be facing up. Slide the remaining top tube assembly through the top until the coupling plates and spreader bar bracket are centered in the cutout.

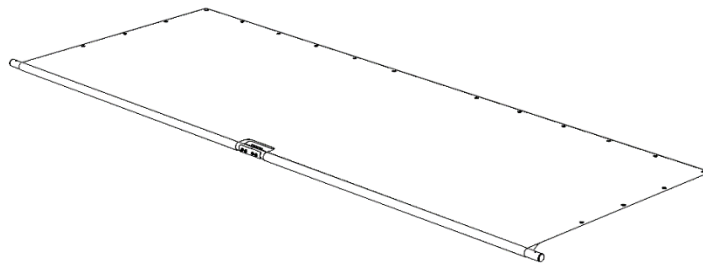


Figure 3.10 Position the Top

- 3.11. Insert the front top tube assembly into the front holes on the side assemblies. The top will hang down. Ensure the spreader bar bracket is facing to the rear.

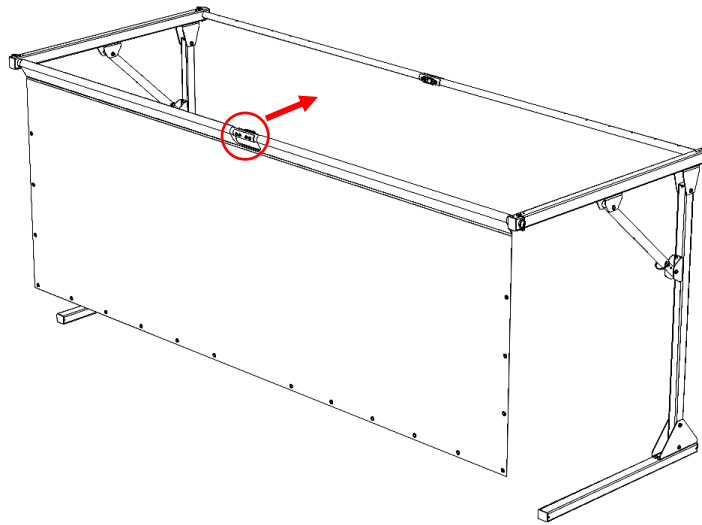


Figure 3.11 Install the Top

- 3.12. Install the spreader bar. Install one of the shorter ball bungees on both sides of the spreader bar to secure it in place. Use the longer size ball bungees to secure the sides of the top. Alternate sides when installing the side bungees so the top does not get pulled to one side. After the eight side bungees are installed, check the top to make sure it is centered around the coupling plates. Install the remaining ball bungees on the rear of the top. The bungees should feed up through the top, wrap around the frame, and then loop around the ball end of the bungee. The rear corners get two bungees each.

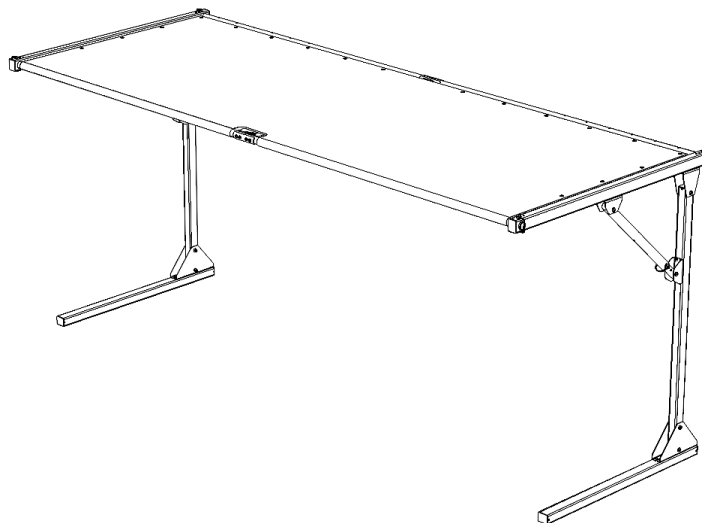


Figure 3.12 Securing the Top

## **4. CARE AND MAINTENANCE**

- 4.1. Dragon ShadER has been designed to require minimal upkeep. However, there are a few things the user should do to ensure successful operation. First, the rear uprights must be kept in a vertical orientation. Do not allow the sides to angle outwards or inwards. Doing so will cause the top tube assemblies to bow. The top should also never be left in its flat configuration overnight. This will cause water to puddle on the top and permanently stretch out the material. The top should be left in one of its titled configurations to allow water runoff. The user should check all hardware to ensure it is tight before each use. This includes all screws and bungees. If bungees are missing, replace them before use. Dragon ShadER should be properly anchored to the ground. Dragon ShadER carries a one-year manufacturer defect warranty.